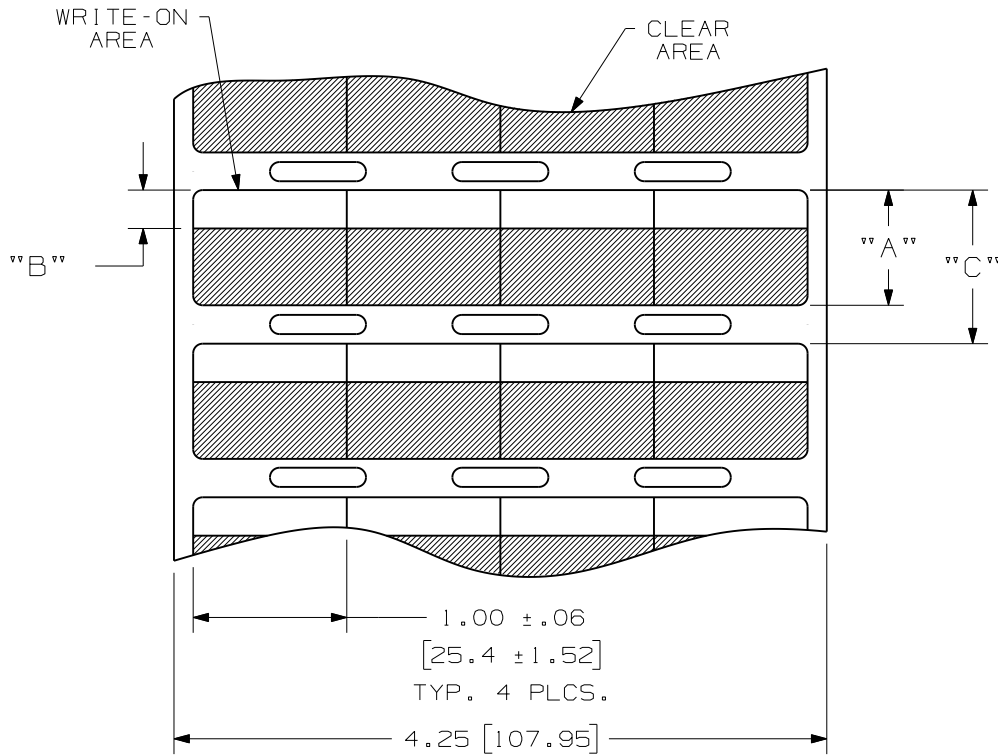


THIS COPY IS PROVIDED ON A RESTRICTED BASIS AND IS NOT TO BE USED IN ANY WAY DETRIMENTAL TO THE INTERESTS OF PANDUIT CORP.

PART NUMBER	MAT'L	"A" HEIGHT +/- .06	IMPRINT AREA "B" +/- .06	VERTICAL REPEAT "C" +/- .06	LABELS PER ROW	STANDARD PKG. QTY.
S100X250TAT	GMT1	2.50 [ 63.5 ]	1.00 [ 25.4 ]	2.75 [ 69.85 ]	4	5000
S100X400TAT		4.00 [ 101.6 ]		4.25 [ 108.0 ]		2500
S100X075VATY	GMV16 OR GMV17	0.75 [ 19.0 ]	0.25 [ 6.35 ]	1.00 [ 25.4 ]		5000
S100X125VATY		1.25 [ 31.8 ]	0.38 [ 9.53 ]	1.50 [ 38.1 ]		
S100X150VATY		1.50 [ 38.1 ]	0.50 [ 12.7 ]	1.80 [ 45.7 ]		
S100X160VATY		1.60 [ 40.64 ]	0.80 [ 20.32 ]	1.90 [ 48.26 ]		1000
S100X225VATY		2.25 [ 57.2 ]	0.75 [ 19.0 ]	2.50 [ 63.5 ]		5000
S100X250VATY		2.50 [ 63.50 ]	1.00 [ 25.4 ]	2.75 [ 69.85 ]		
S100X400VATY	7	4.00 [ 101.6 ]	1.00 [ 25.4 ]	4.25 [ 108.0 ]		2500
S100X650VATY		6.50 [ 165.1 ]		1.50 [ 38.1 ]		6.75 [ 171.4 ]



NOTE:  
1. MILLIMETERS ARE IN [ ].

CAD FILENAME/LAYERS 100472BU\_DC\_C10196/09H

REV	DATE	BY	CHK	DESCRIPTION	ECN	R	CUST	SUP
7	10/25/11	RVU		"GMV16 OR GMV17" WAS "GMV".	6548	R		
6	12/1/08	RVU	MSAD	S100X160VATY, CHANGE STD. PKG. QTY. FROM 5000 TO 1000.	5616	R		
5	9/8/08	RVU	DAPE	REMOVED P/N: S100X075VAT, S100X125VAT, S100X150VAT, S100X225VAT, S100X400VAT, AND S100X650VAT. INCORRECT TOLERANCES. REMOVE NOTES 2, CHG. B TO A.	5539	R		
4	10/22/07	RVU	DWY	ADDED +/- .031, +/- .045, +/- .070, +/- 0.10 ON COLUMN "A" HEIGHT, IMPRINT AREA "B", AND VERTICAL REPEAT "C".	5186	R		
3	5/29/07	RVU	DWY	ADDED NEW P/N, S100X250TAT, S100X400TAT, S100X160VATY, AND S100X250VATY. REVISED MAT'L.	5021	R		
2	1-8-07	RVU	DWY	REVISED TOLERANCE.	4830	R		
1	12-19-06	RVU	DWY	ADDED RoHS COMPLIANT PANDUIT PART NUMBERS WITH SUFFIX "Y" AND MATERIAL GMV.	4671	R		
0	9-1-06	RVU	DWY	DRAWING RELEASE.				

PANDUIT CORP. TINLEY PARK, ILLINOIS

CUSTOMER DRAWING  
OPTIMUM SELF-LAM. S100X\*\*\*VATY, TAT  
THERMAL TRANSFER PRINTABLE LABELS

UNLESS OTHERWISE SPECIFIED,  
DIMENSIONAL TOLERANCES ARE:  
(.X) ± .1    (.XXX) ± .025  
(.XX) ± .06    ANGLES ±

UNLESS OTHERWISE SPECIFIED,  
ALL DIMENSIONS ARE GIVEN  
IN INCHES, THIRD ANGLE PROJECTION.

DRAWN BY: RVU    MAT'L: SEE TABLE

DATE: 9-1-06

CHK'D: *[Signature]*

SCALE: NTS

DRAWING NO. C10196    DWG SIZE: A